

Handwheels with retractable handle

Aluminium, Handle locked

SPECIFICATION

Type

- Type **R**: with retractable handle

Bore codes

- Version **B**: without keyway
- Version **K**: with keyway

Aluminium

- Hub machined
- Rim turned and polished
- Unmachined body matt shot-blasted

Rim concentric and square to bore < 0.4

Retractable handles GN 798.3 (see page 586)

Plastic, Technopolymer
black, matt

Retracting mechanism
Steel, blackened



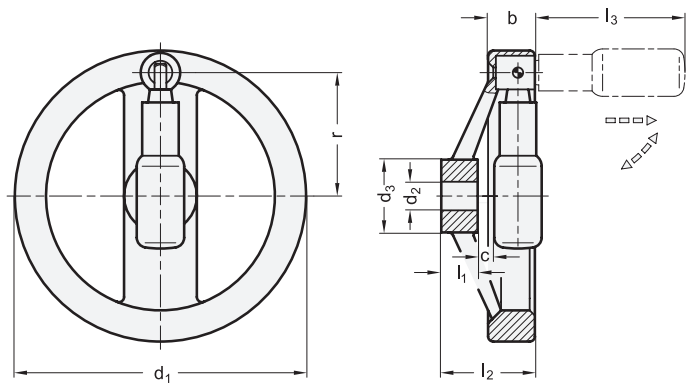
INFORMATION

The handle in the handwheels GN 322.3 is locked in a conical bore in the operating position.

For reversal, it must first be pulled from the cone in axial direction. A pressure spring holds the handle in both positions. When swung out, it automatically engages again.

TECHNICAL INFORMATION

- Keyway P9 DIN 6885 (see page A16)
- Cross holes GN 110 (see page A17)
- ISO-Fundamental Tolerances (see page A21)



GN 322.3

Description	d1	d2 H7	d3	b	c	l1	l2	l3	r	Ø Handle	△
GN 322.3-125-B12-R	125	12	31	24.5	6.5	18	44	60	50	22	390
GN 322.3-125-K12-R	125	12	31	24.5	6.5	18	44	60	50	22	390
GN 322.3-140-B14-R	140	14	36	24.5	6	19	45.5	75	57.5	24	541
GN 322.3-140-K14-R	140	14	36	24.5	6	19	45.5	75	57.5	24	541
GN 322.3-160-B14-R	160	14	36	25	6.5	20	47	75	67.5	24	653
GN 322.3-160-K14-R	160	14	36	25	6.5	20	47	75	67.5	24	653
GN 322.3-160-B16-R	160	16	36	25	6.5	20	47	75	67.5	24	649
GN 322.3-160-K16-R	160	16	36	25	6.5	20	47	75	67.5	24	649
GN 322.3-200-B18-R	200	18	42	25	7.5	24	52.5	85	84	25	954
GN 322.3-200-K18-R	200	18	42	25	7.5	24	52.5	85	84	25	954
GN 322.3-200-B20-R	200	20	42	25	7.5	24	52.5	85	84	25	949
GN 322.3-200-K20-R	200	20	42	25	7.5	24	52.5	85	84	25	949
GN 322.3-250-B22-R	250	22	48	26.5	12	28	61	85	111	25	1364
GN 322.3-250-K22-R	250	22	48	26.5	12	28	61	85	111	25	1364

